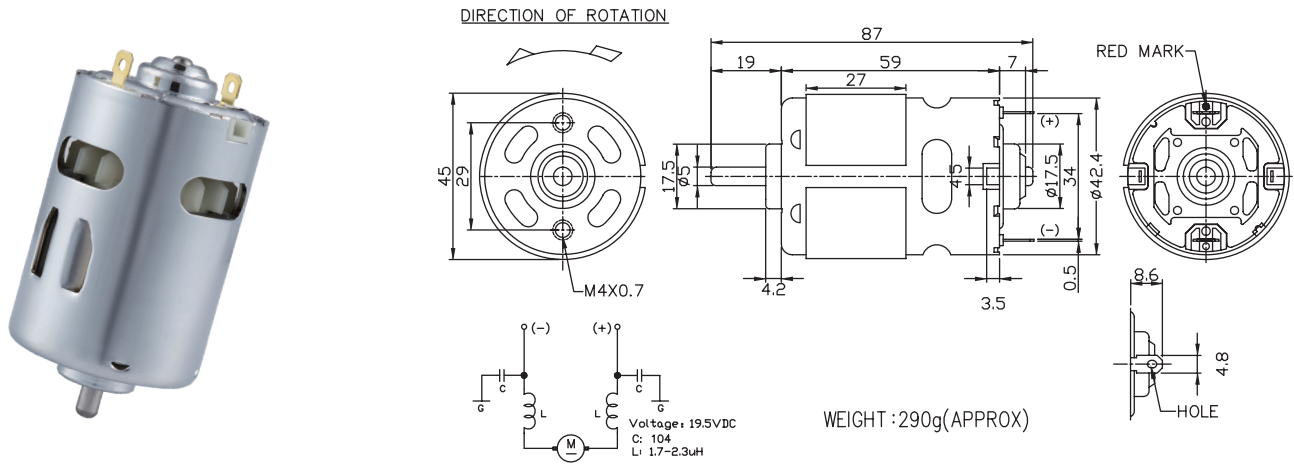


Application : Portable Power Tool 、 Photocopier 、 Massager

用途：電動工具、影印機、電動按摩器



MODEL	VOLTAGE		NO LOAD		AT MAXIMUM EFFICIENCY						STALL		
	OPERATING RANGE	NOMNAL	SPEED rpm	CURRENT A	SPEED rpm	CURRENT A	TORQUE g-cm	TORQUE mN-m	OUTPUT W	EFF %	CURRENT A	TORQUE g-cm	TORQUE mN-m
755-3090-R	18.0 - 36.0	24.0V CONSTANT	5200	0.30	4715	0.94	363	35.59	17.58	78.63	8.20	3530	346.08
755-4534-R	9.6 - 18.0	12.0V CONSTANT	7000	1.20	5862	5.08	699	68.53	42.08	72	22.66	3483	341.47
755-9510-R	7.2 - 10.8	10.8V CONSTANT	23000	3.80	18868	26.52	1112	109.02	215.47	76	125.82	6418	629.22
755-8513F-R	7.2 - 14.4	14.4V CONSTANT	23000	3.60	20367	17.53	919	90.10	192.22	79	127.96	7840	768.63

馬達的出軸長度及性能參數，EMC 對策可依客人要求做調整，詳情可詢問相關業務人員。
Please inquire your sales representative for output, performance and EMC solution.

