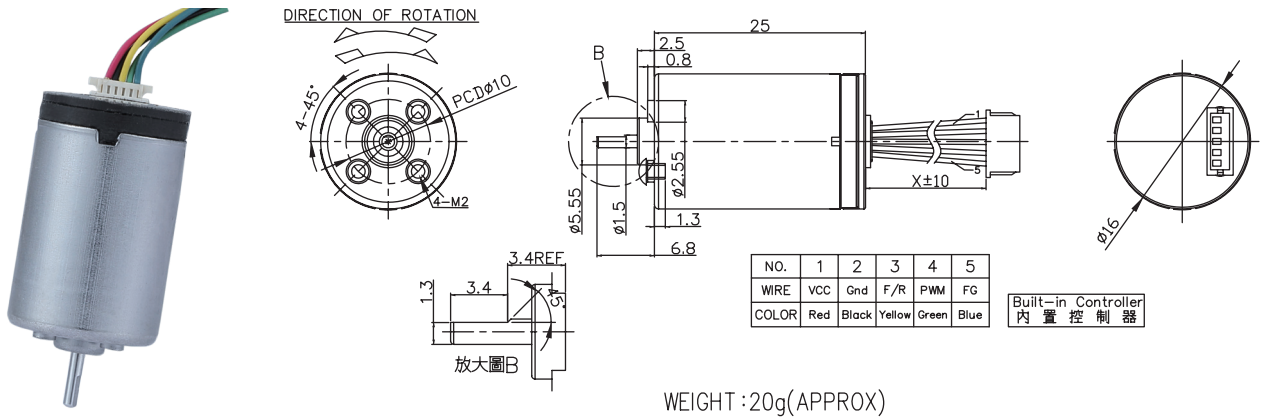


# BL1625

Brushless DC Motor

Application : Base Station

用途：基地台



MODEL	VOLTAGE		NO LOAD		AT MAXIMUM EFFICIENCY						STALL		
	OPERATING RANGE	NOMINAL	SPEED	CURRENT	SPEED	CURRENT	TORQUE		OUTPUT	EFF	CURRENT	TORQUE	
			rpm	A			Kg-cm	N-m				W	%
BL16E25B-12V9.5K1W-C0Y1P	9.0-12.0	12.0V CONSTANT	9500	45	7310	0.26	24.5	2.40	1.8	64	0.97	118	11.6
BL16E25B-9V13.5K2.8W-C0Y1P	9.0-12.0	9.0V CONSTANT	13500	100	11100	0.53	25.0	2.45	2.8	62	3.00	160	15.7

馬達的出軸長度及性能參數，EMC 對策可依客人要求做調整，詳情可詢問相關業務人員。  
Please inquire your sales representative for output, performance and EMC solution.

