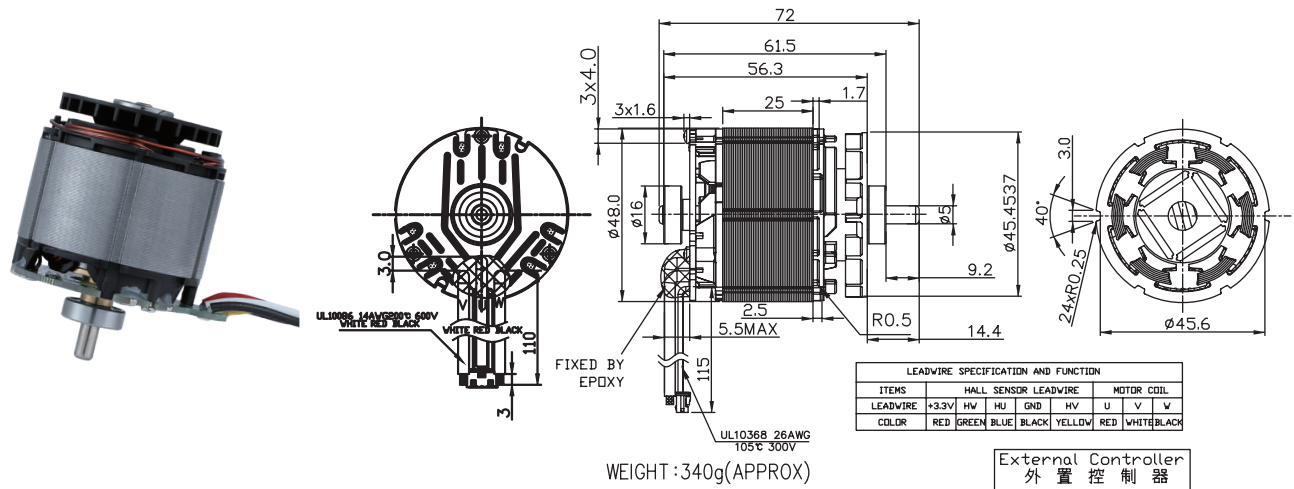


BL48F25

Brushless DC Motor

Application : Portable Power Tool

用途：電動工具



MODEL	VOLTAGE		NO LOAD		AT MAXIMUM EFFICIENCY					STALL			
	OPERATING RANGE	NOMINAL	SPEED	CURRENT	SPEED	CURRENT	TORQUE	OUTPUT	EFF	CURRENT	TORQUE		
			rpm	A	rpm	A	Kg-cm	N-m	W	%	A	Kg-cm	N-m
BL48F25S-18V24K500W-B1X0N	14.4-21.6V	18.0V CONSTANT	24000	6.40	20747	38.34	2.39	0.23	510.07	76	228.74	16.60	1.63
BL48F25S-21.6V23.5K370W-B1X0N	14.4-21.6V	21.6V CONSTANT	23500	4.60	21186	25.60	1.73	0.17	376.40	72	193.89	15.70	1.54

馬達的出軸長度及性能參數，EMC 對策可依客人要求做調整，詳情可詢問相關業務人員。
Please inquire your sales representative for output, performance and EMC solution.

