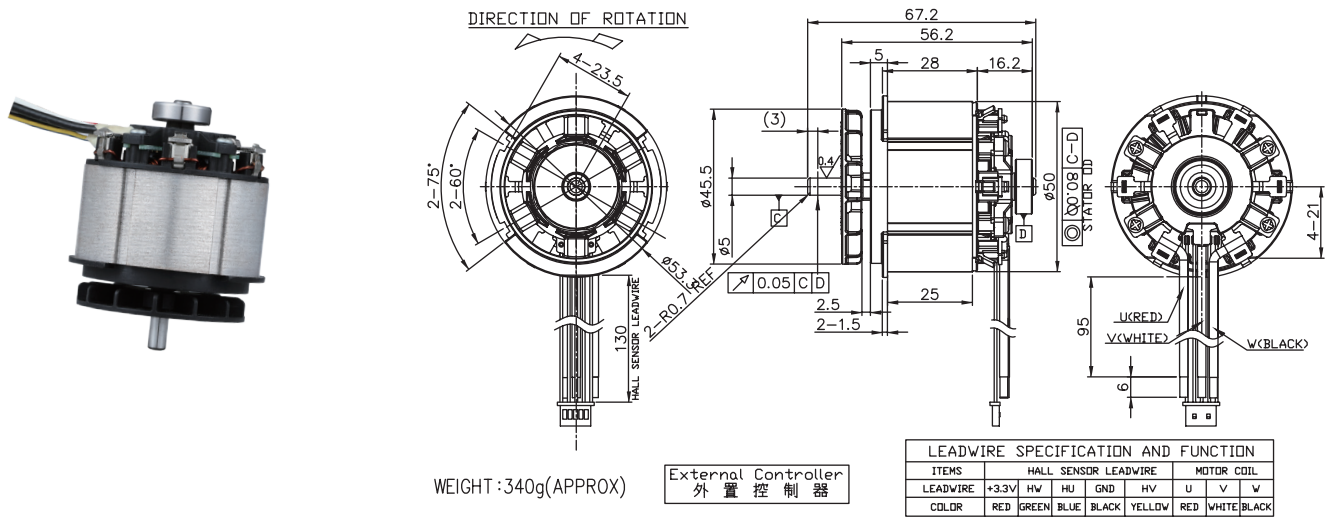


BL50F25

Brushless DC Motor

Application : Electric Drill 、 Electric Hammer 、 Impact Wrench

用途：電鑽、電錘、衝擊扳手



| MODEL | VOLTAGE | | NO LOAD | | AT MAXIMUM EFFICIENCY | | | | | STALL | | | |
|-----------------------------|-----------------|----------------|---------|---------|-----------------------|---------|--------|--------|-----|---------|--------|-------|------|
| | OPERATING RANGE | NOMINAL | SPEED | CURRENT | SPEED | CURRENT | TORQUE | OUTPUT | EFF | CURRENT | TORQUE | | |
| | | | rpm | A | rpm | A | Kg-cm | mN-m | W | % | A | Kg-cm | N-m |
| BL50F25S-18V26K600W-B1X0N | 18.0-21.6V | 18.0V CONSTANT | 26000 | 6.20 | 22520 | 48.0 | 3.00 | 294 | 704 | 82 | 240 | 18.0 | 1.76 |
| BL50F25S-21.6V22K450W-B1X0N | 18.0-21.6V | 21.6V CONSTANT | 22000 | 5.20 | 19120 | 26.6 | 2.20 | 215 | 446 | 79 | 182 | 17.5 | 1.71 |

馬達的出軸長度及性能參數，EMC 對策可依客人要求做調整，詳情可詢問相關業務人員。
Please inquire your sales representative for output, performance and EMC solution.

