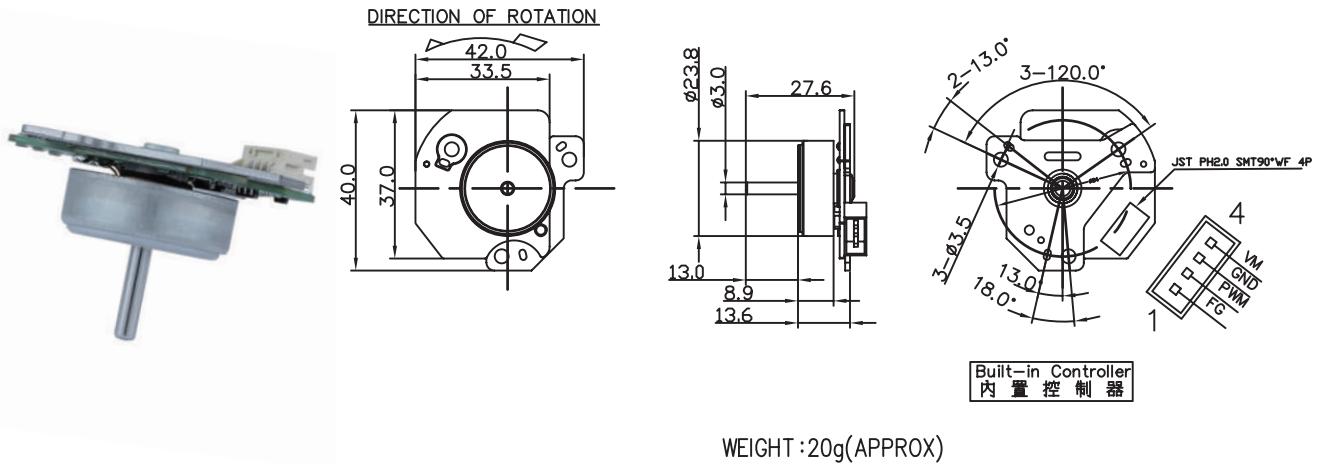


BL24E14

Brushless DC Motor

Application : Vacuum Robot 、 Fan

用途：智能吸塵機器人、風扇



| MODEL | VOLTAGE | | NO LOAD | | AT MAXIMUM EFFICIENCY | | | | | STALL | | | |
|----------------------------|-----------------|----------------|-----------|-----------|-----------------------|-----------|-------------|------------|----------|-------|-----------|-------------|------------|
| | OPERATING RANGE | NOMINAL | SPEED rpm | CURRENT A | SPEED rpm | CURRENT A | TORQUE g-cm | TORQUE N-m | OUTPUT W | EFF % | CURRENT A | TORQUE g-cm | TORQUE N-m |
| BL24E14B-12V16.8K9W-C0Y0P | 10.0-16.0 | 12.0V CONSTANT | 17200 | 0.4 | 12359 | 1.62 | 86.9 | 8.52 | 11.04 | 58 | 4.92 | 351.5 | 34.45 |
| BL24E14B-12V23.7K20W-C0Y0P | 10.0-16.0 | 12.0V CONSTANT | 24000 | 0.48 | 20200 | 2.05 | 62.2 | 6.09 | 12.90 | 59 | 8.90 | 375.1 | 36.76 |

馬達的出軸長度及性能參數，EMC 對策可依客人要求做調整，詳情可詢問相關業務人員。
Please inquire your sales representative for output, performance and EMC solution.

