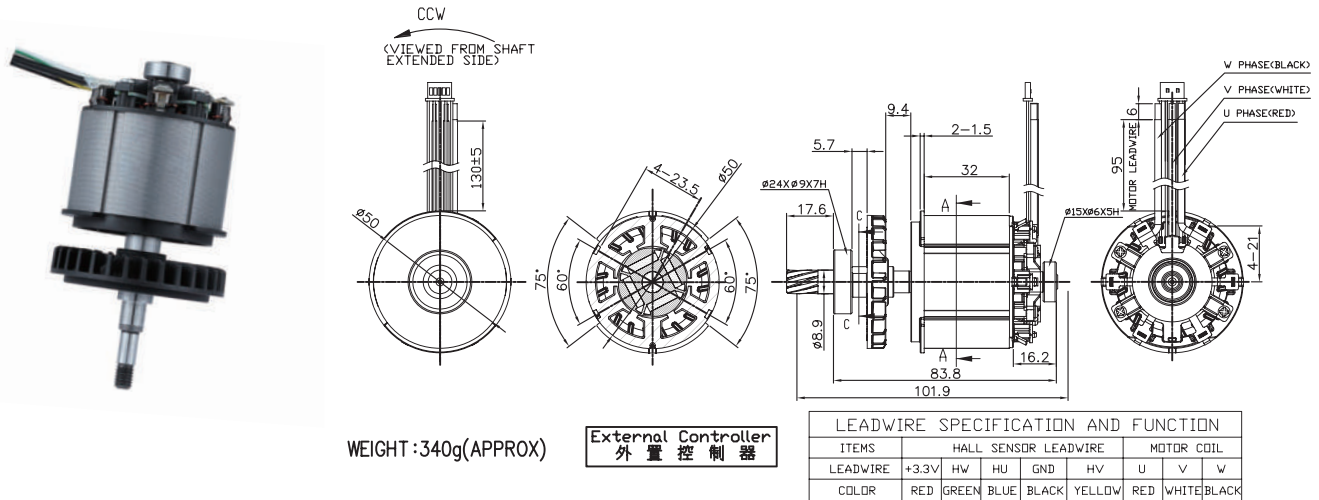


# BL50F32

## Brushless DC Motor

Application : Electric Hammer 、 Electric Drill 、 Angle Grinder 、 Circular Saw

用途：電錘、電鑽、角磨機、圓鋸



MODEL	VOLTAGE		NO LOAD		AT MAXIMUM EFFICIENCY					STALL			
	OPERATING RANGE	NOMINAL	SPEED	CURRENT	SPEED	CURRENT	TORQUE	OUTPUT	EFF	CURRENT	TORQUE		
			rpm	A	rpm	A	Kg-cm	mN-m	W	%	A	Kg-cm	mN-m
BL50F32S-18V23K700W-B1X0N	18.0-43.2V	18.0V CONSTANT	23000	9.40	19960	54	3.6	353	742	78	260	20.9	2049
BL50F32S-20V21K600W-B1X0N	18.0-43.2V	20.0V CONSTANT	21000	7.60	17330	40	3.6	353	642	84	207	21.8	2137
BL50F32S-36V21K700W-B1X0N	18.0-43.2V	36.0V CONSTANT	21000	2.50	18050	24	4.0	392	740	91	150	28.3	2775
BL50F32S-43.2V23K1000W-B1X0N	18.0-43.2V	43.2V CONSTANT	23000	5.10	18760	28	4.9	480	958	86	128	27.4	2687

馬達的出軸長度及性能參數，EMC 對策可依客人要求做調整，詳情可詢問相關業務人員。  
Please inquire your sales representative for output, performance and EMC solution.

