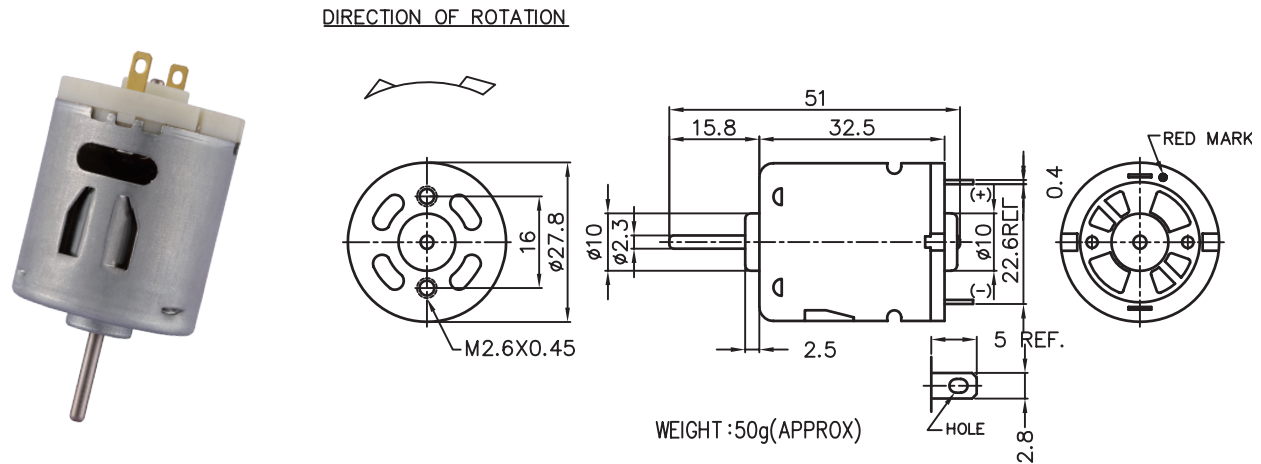


Application : Hair Dryer 、 Pump

用途：吹風機、泵浦



MODEL	VOLTAGE		NO LOAD		AT MAXIMUM EFFICIENCY					STALL			
	OPERATING RANGE	NOMINAL	SPEED rpm	CURRENT A	SPEED rpm	CURRENT A	TORQUE g-cm	OUTPUT mN-m	EFF W	EFF %	CURRENT A	TORQUE g-cm	TORQUE mN-m
MS5N-2445	6.0-12.0	12.0V CONSTANT	24500	0.50	18900	2.22	91	8.92	17.74	67	8.96	453	44.41
MS5N-1983	6.0-12.0	12.0V CONSTANT	12000	0.20	9881	0.66	49	4.80	5.01	66	3.51	326	31.96
MP5N-08360	12.0-24.0	24.0V CONSTANT	4800	0.05	3500	0.13	33	3.24	1.20	42	0.34	129	12.65
MP5N-12190	12.0-24.0	24.0V CONSTANT	10200	0.10	7800	0.35	61	5.98	4.91	59	1.23	264	25.88

馬達的出軸長度及性能參數，EMC 對策可依客人要求做調整，詳情可詢問相關業務人員。  
Please inquire your sales representative for output, performance and EMC solution.

