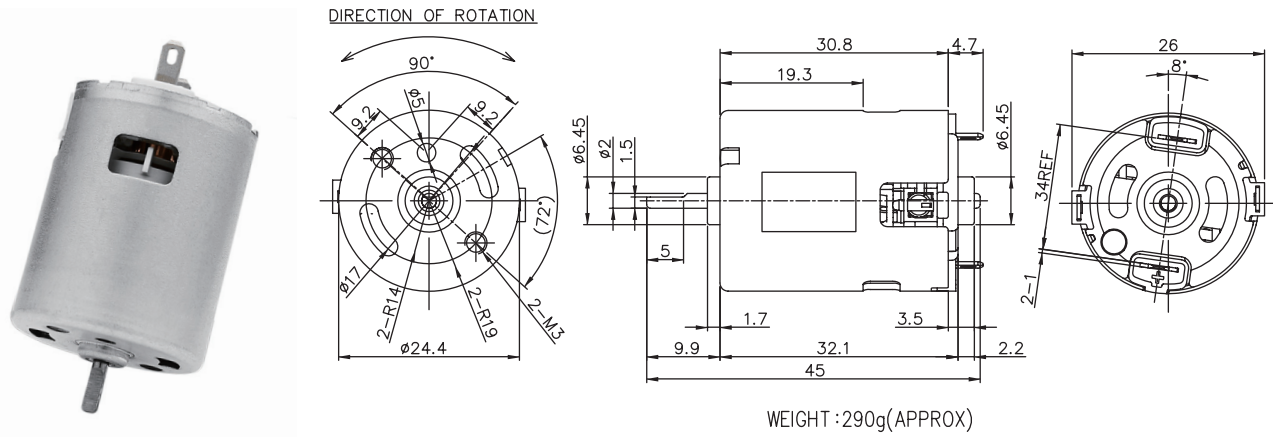


RK-370X

Brush DC Motor

Application : Portable Power Tool 、 Vacuum Cleaner 、 Electric Screwdriver

用途：電動工具、吸塵器、電動螺絲起子



MODEL	VOLTAGE		NO LOAD		AT MAXIMUM EFFICIENCY					STALL			
	OPERATING RANGE	NOMNAL	SPEED rpm	CURRENT A	SPEED rpm	CURRENT A	TORQUE g-cm	TORQUE mN-m	OUTPUT W	EFF %	CURRENT A	TORQUE g-cm	TORQUE mN-m
RK-370XB-6017F-R-CE	2.4 - 5.0	3.6V CONSTANT	20000	2.0	16260	11.5	165	16.2	27.7	68	69.0	1208	118.4
RK-370XB-6011F-R-CE	2.4 - 3.6	3.6V CONSTANT	30000	3.9	21150	20.8	195	19.1	42.4	58	87.8	1016	99.6
RK-370XB-3055F-R-CE	2.4 - 14.4	8.0V CONSTANT	15000	0.5	12360	2.9	122	12.0	15.5	69	12.3	700	65.8
RK-370XB-3256F-R-CE	2.4 - 14.4	12.0V CONSTANT	21000	0.8	18150	3.5	160	15.7	29.7	71	23.0	1311	128.5

馬達的出軸長度及性能參數，EMC 對策可依客人要求做調整，詳情可詢問相關業務人員。
Please inquire your sales representative for output, performance and EMC solution.

